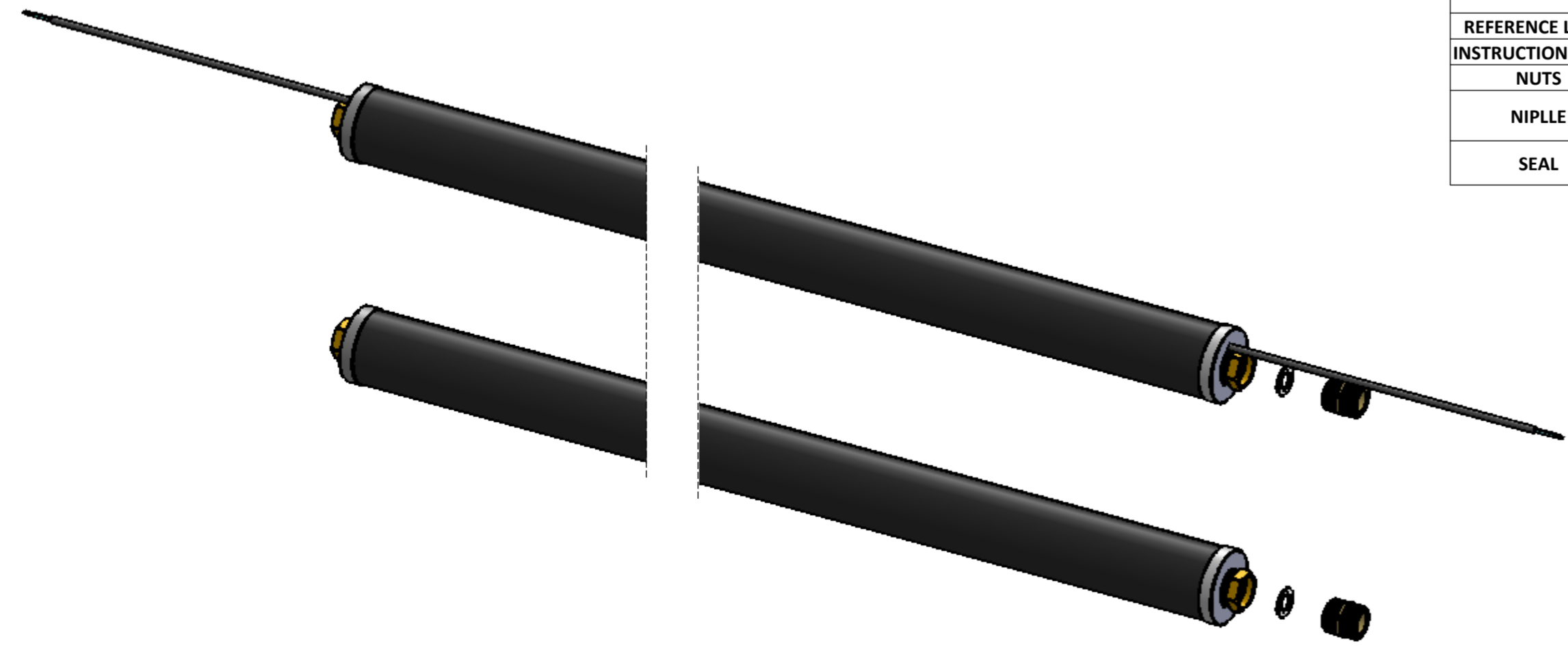
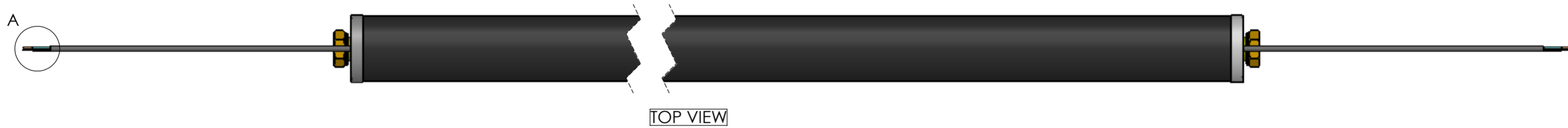
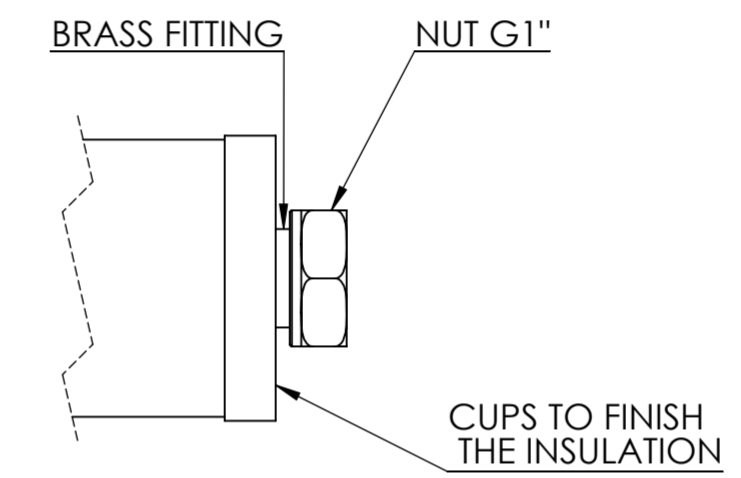
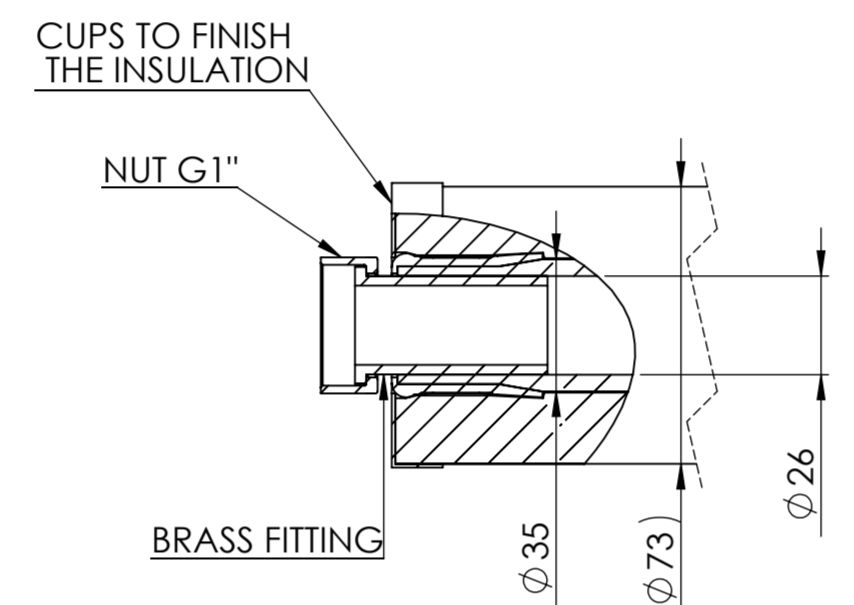
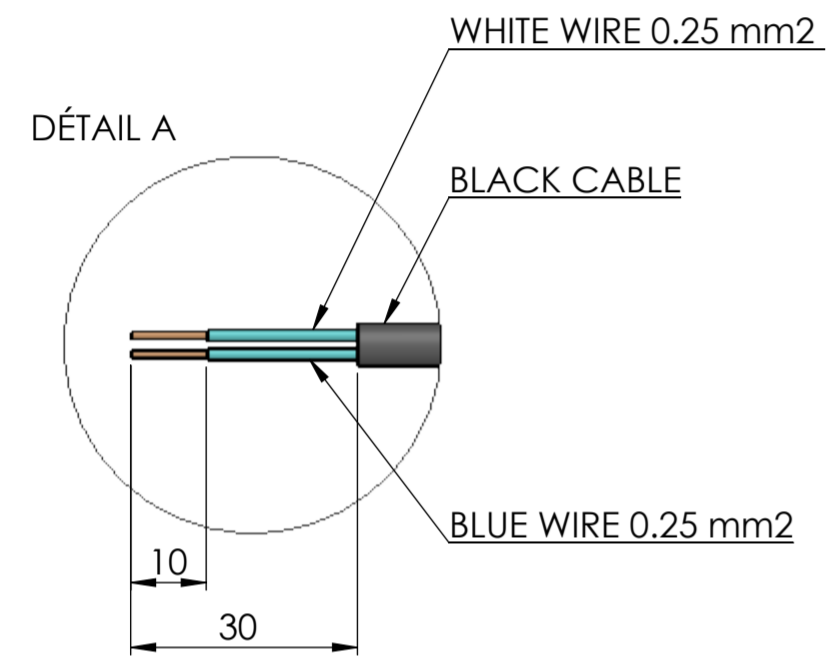


DESIGNATION FLEXIBLE:
 *EKOFLEX EPDM ϕ 26 BRAID TEXTIL
 *F 1" BRASS F 1" BRASS
 *CRIMPING INOX
 *INSUL. BS3D0 19 MM WITH CUPS
 *T MAX +110°C-PS10B-



	3078152	3078151	3078153
DESIGNATION	FLEXIBLE PIPES 3M - M	FLEXIBLE PIPES 1M - M	FLEXIBLE PIPES 10M - M
DIMENSION A	3 METRES	1 METRE	10 METRES
COMPOSITION	1 SINGLE FLEXIBLE PIPE ISOLATED 3M 1 SINGLE FLEXIBLE PIPE ISOLATED 3M WITH CABLE	1 SINGLE FLEXIBLE PIPE ISOLATED 1M 1 SINGLE FLEXIBLE PIPE ISOLATED 1M WITH CABLE	1 SINGLE FLEXIBLE PIPE ISOLATED 10M 1 SINGLE FLEXIBLE PIPE ISOLATED 10M WITH CABLE
REFERENCE LABEL	420060770301	420060770201	420060770401
INSTRUCTION SHEET	420020104403	420020104403	420020104403
NUTS	4 NUTS G 1"	4 NUTS G 1"	4 NUTS G 1"
NIPPLE	580070093200 2 NIPPLE 1"X 1" (1 for each hose)	580070093200 2 NIPPLE 1"X 1" (1 for each hose)	580070093200 2 NIPPLE 1"X 1" (1 for each hose)
SEAL	6 SEALS (3 for each hose)	6 SEALS (3 for each hose)	6 SEALS (3 for each hose)

Rev.	Description	ECN	Rev. Date	Drawing By	Checked
A	Modified instruction sheet 4200201044 01->02	11D1802300	2018-12-11	Belegni L.	
B	Modified instruction sheet 4200201044 02->03	ALD21H0212	2022-03-17	Contini E.	

Product Conformity Requirements: A B O	Precision level for dimensions without tolerance indications has to be: EN ISO 22768-mK	ECN first creation	Date: 2022-03-17	Check Date:
$\text{M} = 0$ $\text{P} = 0$ $\text{S} = 0$			Designer: Contini E.	Checker:
Conformity requirements see the document named "Product Conformity Requirements"		Material: - -	Volume (mm³):	
		Treatment:	Weight (g):	
ARISTON GROUP Via della Vignolina 2 Agrate Brianza (MB) 20864 Italy		Finishing:	Description: KIT FLEXIBLE PIPE IDU-ODU KIT TUBI FLESSIBILI IDU-ODU	Code: SEE TABLE
BY TERM LAWS WE RESERVE THE PROPERTY OF THIS DRAWING WITH PROHIBITION OF USE AND REPRODUCTION		Unit: Pacman accessories	Status: Preliminary Under Review	