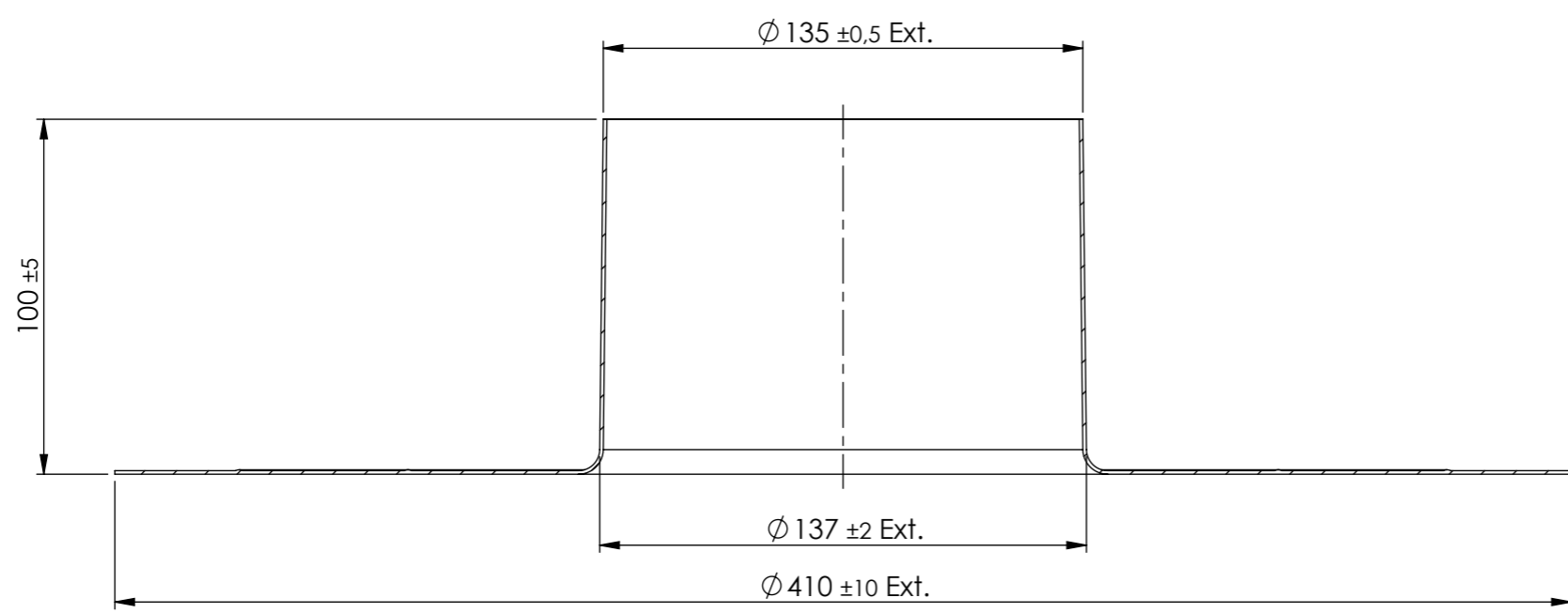
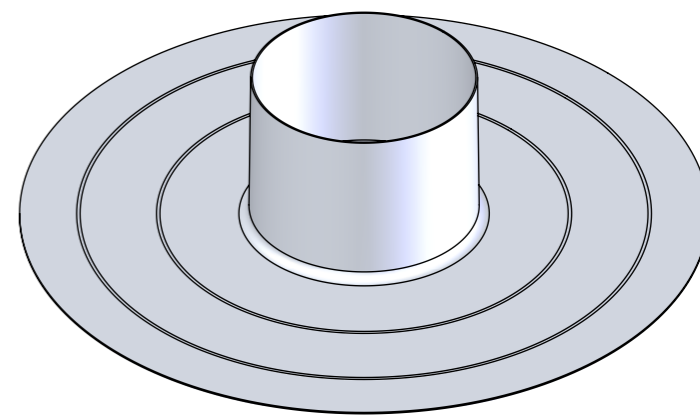

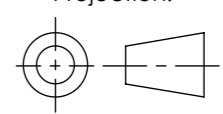


This drawing is property of Cox Geelen and may not be copied in whole or in part without the prior written consent of the owner



Scale: 1:2	Unit of measure: mm	Material: EN-AW-1050A	Comments:										
Title: Flat Flashing 110 H100													
CAD Model: Flat flashing round AI Configuration: 232003													
 Cox Geelen www.coxgeelen.com	Tolerances: $\varnothing = \pm 0,5$ $L = \pm 3$ $< = \pm 3^\circ$	Projection: 	Dwg. no. : A3231 P00 A3										
	<table border="1"> <tr> <td>00</td> <td>Production drawing</td> <td>16001</td> <td>12-04-2016</td> <td>M. Ubags</td> <td>L. Goessen</td> </tr> <tr> <td></td> <td>Revisions</td> <td></td> <td></td> <td>Created</td> <td>Checked</td> </tr> </table>			00	Production drawing	16001	12-04-2016	M. Ubags	L. Goessen		Revisions		
00	Production drawing	16001	12-04-2016	M. Ubags	L. Goessen								
	Revisions			Created	Checked								