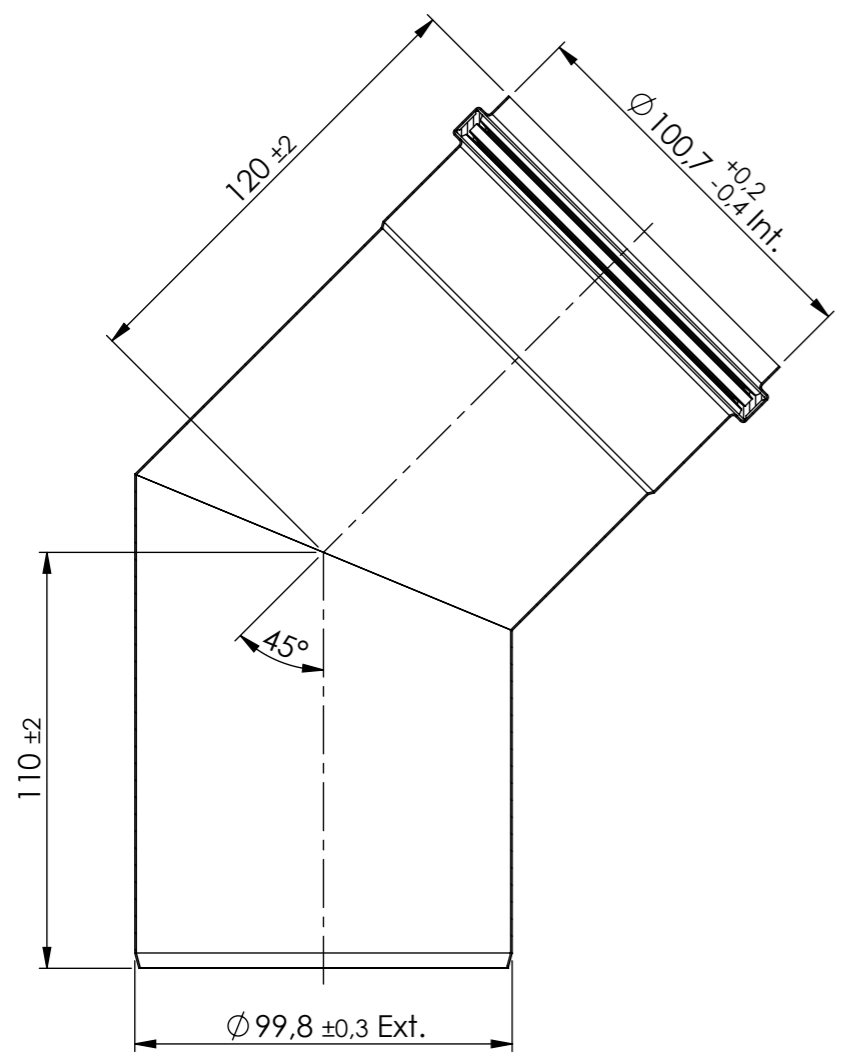
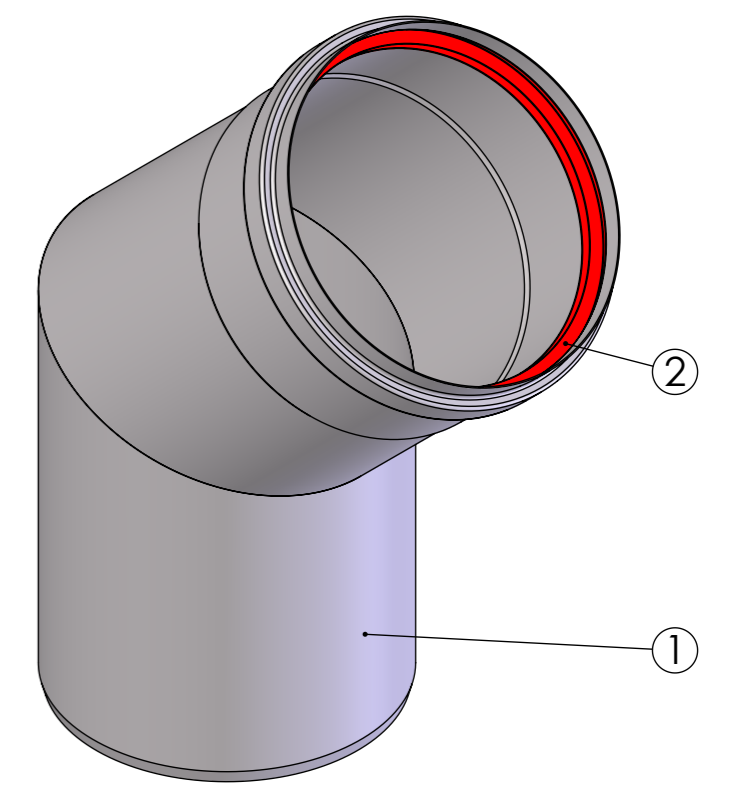
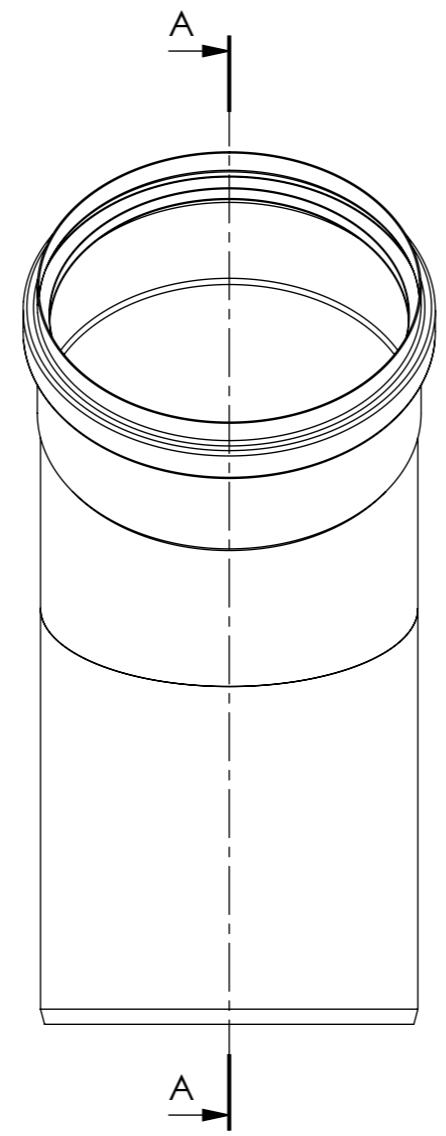

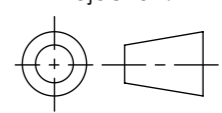


This drawing is property of Cox Geelen and may not be copied in whole or in part without the prior written consent of the owner



SECTION A-A



2	1	Seal ø100	VMQ Flue gas	A2265	700262
1	1	Bend ø100 45°	AISI 316L	-	-
Pos.	QTY.	Description	Material	Drawing	Part nr
Unit of measure: mm		Name: M. Ubags	Date: 03-07-2014	Material: -	
Scale: 1:2		Checked: E. Franssen	Date: 03-07-2014	Mass[g]: 256.23	
Title: Bend ø100 45° SS				Comments:	
CAD Model: Bocht D100 45Gr. RVS Configuration: + lippenring					
 Cox Geelen www.coxgeelen.com			Tolerances: ø = ±0.5 L = ±3 < = ±3°	Projection: 	Part.no: - Dwg. no.: A2570 P00 A3

00	Production drawing	14001	03-07-2014	MaUb
Revisions				