

SPARE PARTS EXPLODED VIEW BOILERS

Model

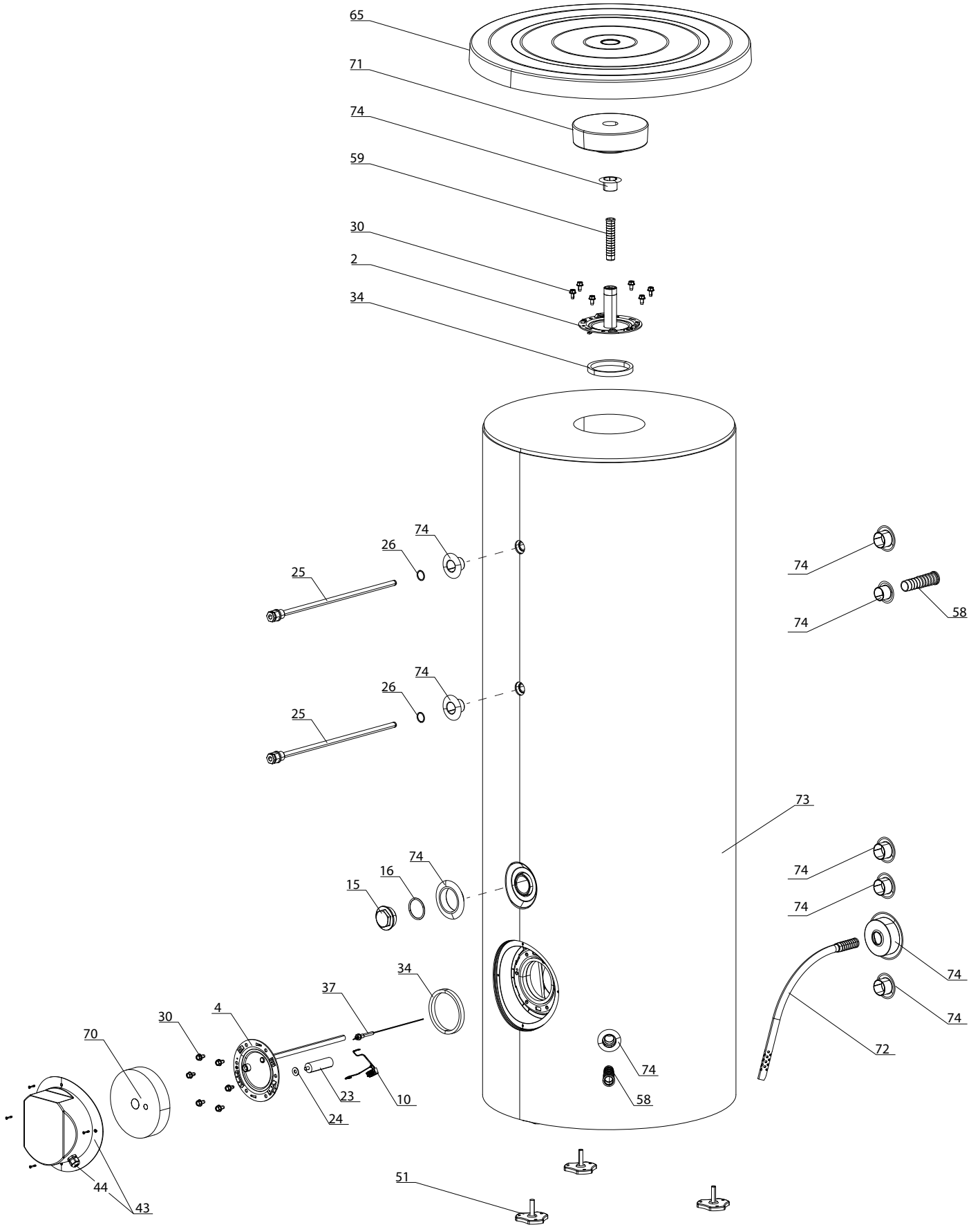
HHP CYL

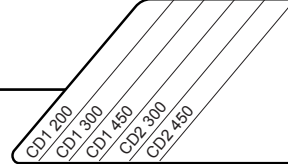
R8218784-02 - 16/03/2022

HHP CYL

Boilers

1	3060704	CD1 200 HHP	12-2021	-
2	3060705	CD1 300 HHP	12-2021	-
3	3060706	CD1 450 HHP	12-2021	-
4	3060707	CD2 300 HHP	12-2021	-
5	3060862	CD2 450 HHP	12-2021	-
Col	Reference	Model type	Begin	End



☉→	Description	Manf. Pt. N	Type																			From	to			
				1	2	3	4	5	6	7	8	9	10	11	12	13	14	15	16	17	18					
0002	FLANGE Ø105	60003411		•	•	•	•	•																		
0004	FLANGE	60002554		•	•	•	•	•																		
0010	CABLE (ANODE-PROTECH)	60002291		•	•	•	•	•																		
0015	CAP Ø1in 1/2	60003421						•	•																	
0016	O-RING 44,45X3,53	60003422						•	•																	
0023	ANODE D:33 L:350 M8	61314319		•	•	•	•	•																		
0024	ANODE GASKET	60003413		•	•	•	•	•																		
0025	SHEATH L=420	60003419		•	•	•	•	•																		
0026	O-RING 20X2	60003420		•	•	•	•	•																		
0030	SCREW M8X14	61005231		•	•	•	•	•																		
0034	FLANGE GASKET D121,7 X 105 X 11,5	60000682		•	•	•	•	•																		
0037	ANODE (PROTECH)	60002112		•	•	•	•	•																		
0043	PLASTIC COVER	60002865		•	•	•	•	•																		
0044	CABLE GLAND	60002866		•	•	•	•	•																		
0051	ADJUSTABLE FOOT M10	65152260		•	•	•	•	•																		
0058	INSERT 3/4 G	60002869		•	•	•	•	•																		
0059	INSERT 1 G	60003418		•	•	•	•	•																		
0065	TOP COVER	60003374		•	•		•																			
	TOP COVER	60003375					•		•																	
0070	ISOLATING Ø200 EP40	60003110		•	•	•	•	•																		
0071	INSULATION (TOP)	60003373		•	•	•	•	•																		
0072	COLD WATER PIPE	60003412		•	•	•	•	•																		
0073	OUTER COVERING Ø650 200L	60002900		•																						
	OUTER COVERING Ø650 300L	60002899				•		•																		
	OUTER COVERING Ø745 500L	60002903					•		•																	
0074	RING PLASTIC BLACK Ø1"	60002921		•	•	•	•	•																		
	RING PLASTIC BLACK Ø1" 1/2	60003423						•	•																	
	RING PLASTIC BLACK Ø1/2"	60002913		•	•	•	•	•																		
	RING PLASTIC BLACK Ø3/4"	60002920		•	•	•	•	•																		
	RING PLASTIC BLUE Ø1"	60002909		•	•	•	•	•																		

LIST OF THE ABBREVIATIONS

HW	: Hot water.
CW	: Cold water.
C	: Ceramic resistance (normal heating).
Ca	: Ceramic resistance (accelerated heating)
TP	: Immersion heater.
1F	: With fittings.
2F	: Without fittings.
3F	: With fittings and another outlet connection.
AMI	: With mixing valve.
SMI	: Without mixing valve.
PUISS	: Power of the appliance.
PN	: Appliance with normal pressure.
LP	: Appliance with low pressure.
PV	: Appliance with variable power.
PF	: Appliance with fixed power.

IDENTIFICATION PLATE

SERIAL NUMBER

9 Characters : 07 91 00301 (from 01/77 to 12/92)

Month of manufacture 07 91 00301 Sequential number
Year of manufacture 07 91 00301

10 Characters : 95 01 065004 (from 01/93 to 06/95)

Year of manufacture 95 01 065004 Sequential number
Month of manufacture 95 01 065004

OU

10 Characters : 01 95 065004 (from 07/95)

Month of manufacture 01 95 065004 Sequential number
Year of manufacture 01 95 065004

12 Characters : 924 2 3 134 0115

Product reference 924 2 3 134 0115 Sequential number
Year of manufacture 924 2 3 134 0115 Manufacturing day

15 ou 16 Characters : (0)03 070 0001 893077 (from 01/97 to 01/05)

Year of manufacture (0)03 070 0001 893077 Product reference
Day of manufacture (0)03 070 0001 893077 Sequential number

OU

16 Characters : 05 070 0001 0000000 (from 02/05)

Year of manufacture 05 070 0001 0000000 Product reference
Day of manufacture 05 070 0001 0000000 Sequential number

17 Characters : 07 070 00315 3070107

Year of manufacture 07 070 00315 3070107 Product reference
Sequential number
Manufacturing day (70)

21 Characters : 3000115 XX 08115 0000001

Product reference 3000115 XX 08115 0000001 Sequential number
Year (08) / Manufacturing day (115)

22 Characters : 3000115 XX 070416 0000001

Product reference 3000115 XX 070416 0000001 Sequential number
Year (07) / Month (04) / Manufacturing day (16)